

FENCE INSTALLATION INSTRUCTIONS

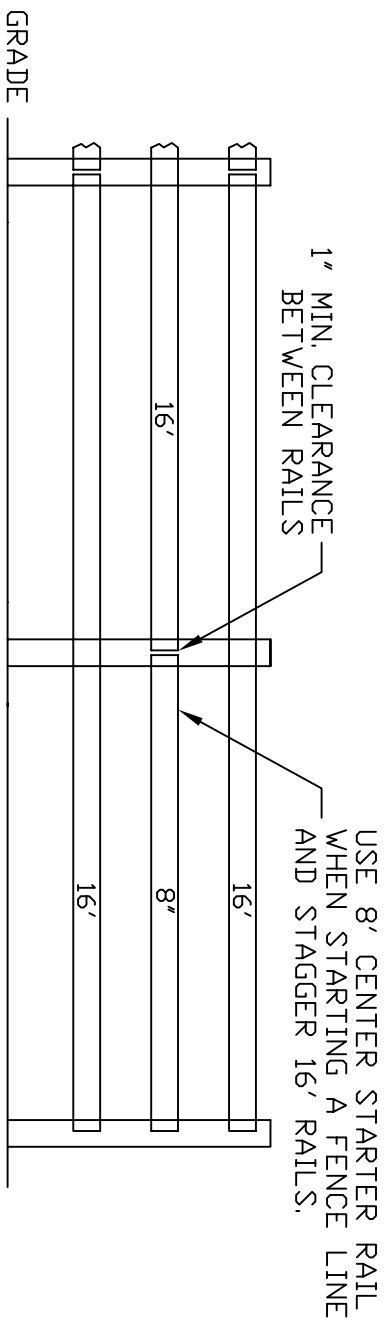
Thank you for purchasing your Derby Fence. Before starting your installation make sure to check local codes and permit requirements. Also contact your local utility companies to check for under-ground utilities, such as electrical, plumbing, or cable. Derby fence is made for quick and easy installation with very few tools.

Tools required are as follows:

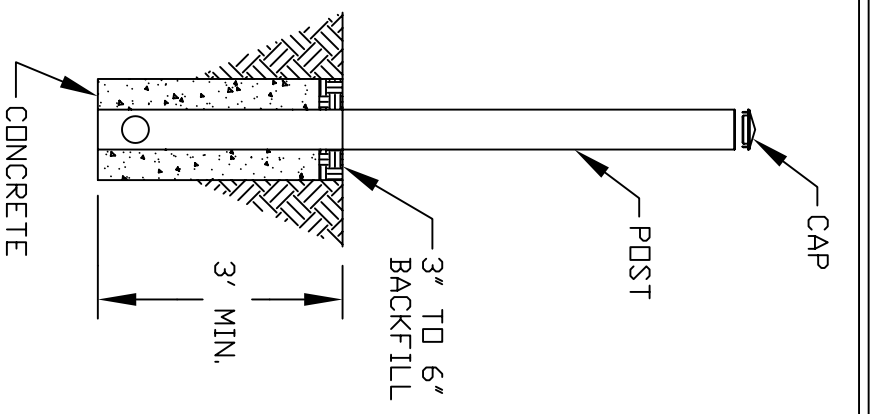
- | | |
|---------------------|---------------------------|
| 1) 4 ft. Level | 6) Shovel |
| 2) Post level | 7) Post digger |
| 3) Mallet or hammer | 8) Marking paint or chalk |
| 4) Tape measure | 9) Saw |
| 5) Pliers | 10) Bent long nose pliers |

INSTALLING YOUR DERBY FENCE

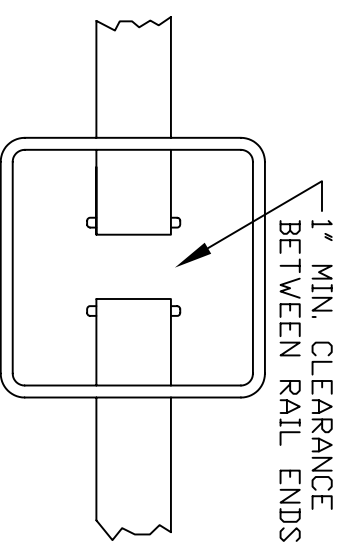
- 1) Start by laying out your fence line with stakes and string keeping the string as low to the ground as possible without distorting the straight line. (Avoid tall grass and weeds)
- 2) Mark your post locations, making sure that ALL posts are on 8 ft. centers. This is critical for proper fence assembly. Hole diameter should be 9" or 12" in diameter and depth depends on code, soil type, and finished fence height. Posts need to be PLUMB and SQUARE to one another for proper installation.
- 3) Dig post holes - Remove string line without moving stakes. Using auger or post hole digger dig down to proper depth while staying as plumb as possible. Repeat for every post location. Re-run line on original stakes 8" to 12" from highest point of ground.
- 4) Set all posts as you would a typical wooden fence, placing dirt, gravel, or concrete (preferably) around outside of the post. Make sure all posts are PLUMB to insure proper installation. Make sure proper post is in hole. (end, corner, in-line... Diag. 6)
- 5) Derby Fence recommends that all posts be set in concrete. Concrete should come up to 3" to 6" below ground level. Work concrete into hole by shaking post. Plumb and square posts then fill rest of hole with dirt. Let posts sit for a least 24 hrs. before installing rails.
- 6) Clean concrete off posts with water.
- 7) Run rails in a staggered pattern, using a 16' top and bottom rail, and a 8' middle rail as pictured on page 2 (Diag. 2). Leave a 1" minimum breathing space between rail ends for expansion. Do not butt rails together. Use button clips to secure rails to posts (Diag. 3).
- 8) Install caps (Diag. 5).



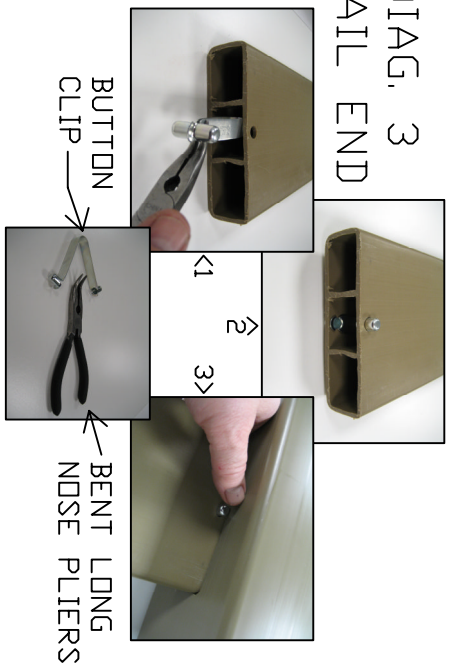
DIAG. 2



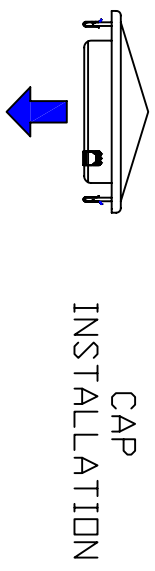
DIAG. 1



DIAG. 3
RAIL END



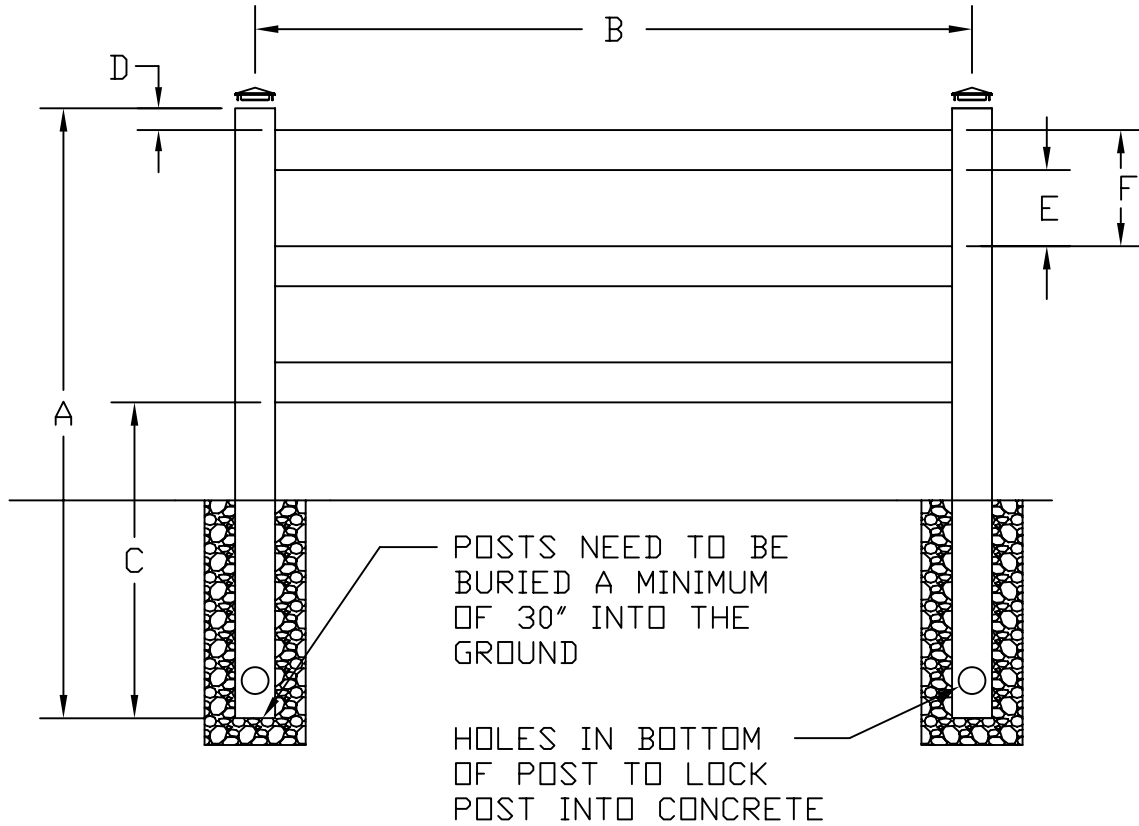
^ USE BENT NOSE NEEDLE NOSE PLIERS TO INSTALL SPRING BUTTON CLIPS IN END OF FENCE RAILS. PRESS BUTTONS IN AND SLIDE RAIL INTO POST. NOTE: INSTALL BUTTON CLIPS AFTER RAILS ARE SLID THROUGH MIDDLE POSTS.



DIAG. 5

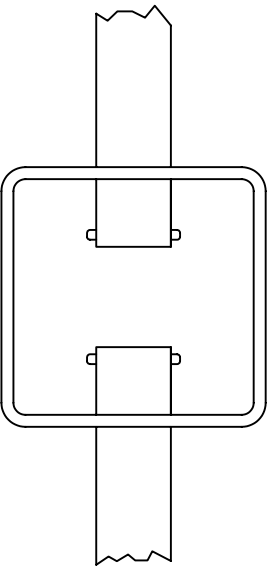
^ ATTACH FOUR CAP CLIPS IN CORNERS OF CAP LEGS WITH THREE TOOTH LEG FACING OUTWARD TO ENGAGE POST. PLACE CAP ON TOP OF POST AND TAP CAP DOWN UNTIL FLUSH WITH TOP OF POST.

TYPICAL FENCE INSTALLATION DIMENSIONS

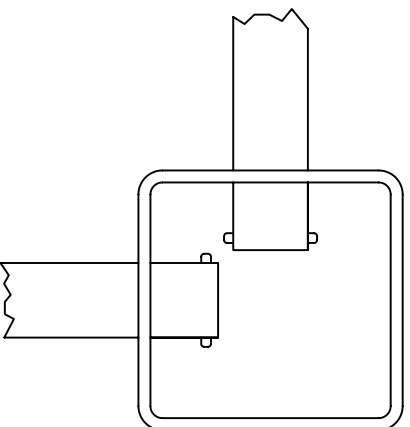


	2 RAIL	3 RAIL	4 RAIL	CROSS
A	84"	84" or 90"	90" or 96"	96"
B	96"	96"	96"	96"
C	46"	43"	40-1/4"	45-1/2"
D	3"	3"	3"	2"
E	12"	10-1/2"	6-1/4"	—
F	17-1/2"	16-1/4"	11-3/4"	—

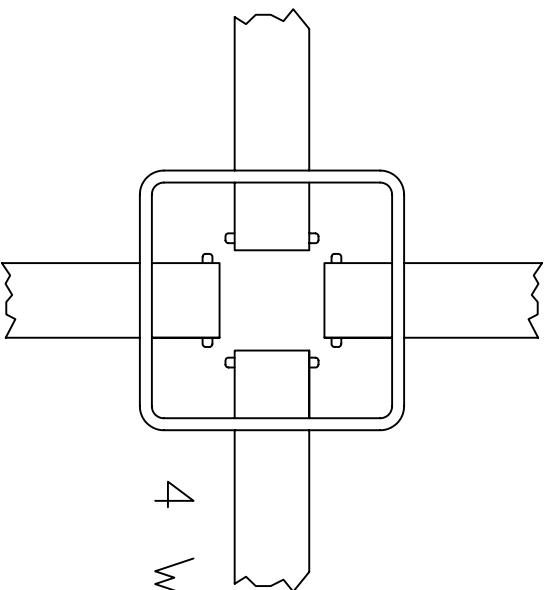
INLINE POST



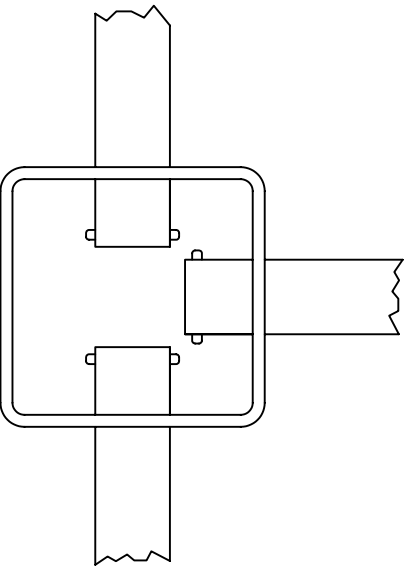
CORNER POST



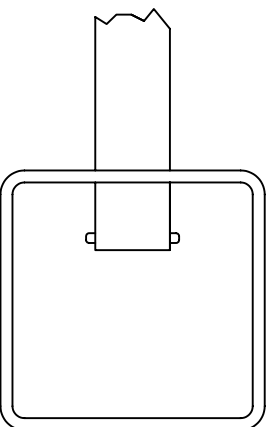
4 WAY POST



3 WAY POST



END POST



DIAG. 6
PAGE 4